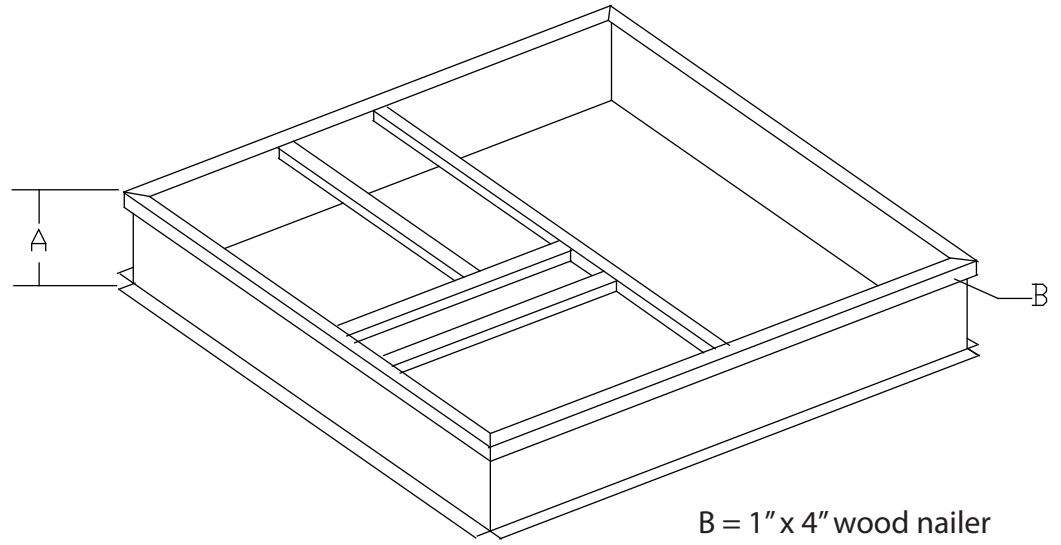
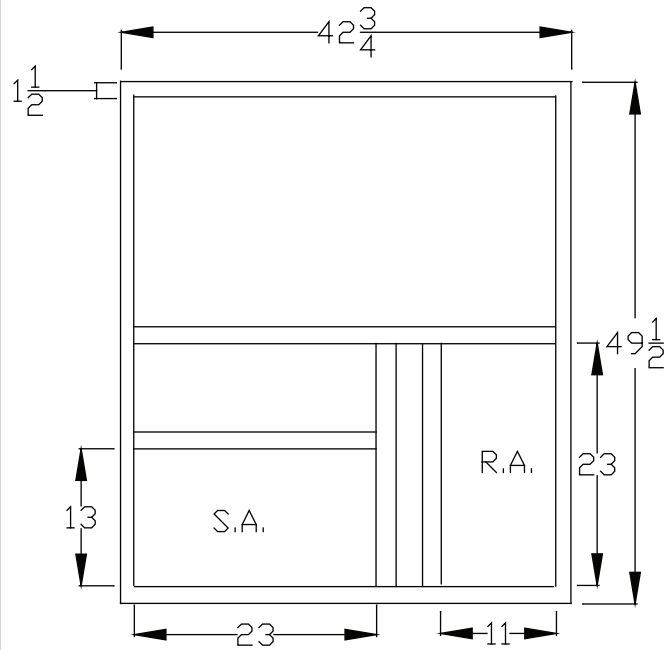


A = Curb height (standard height 8", 12", or 14")
 special height upon request



Curb construction
 20 Ga. G-90 galvanized steel.
 Fully welded seams and corners.
 Curbs ship with closed cell neoprene gasket
 material to create an air tight
 seal between curb and unit



MODULAR METAL FABRICATORS INC.

GOODMAN FLAT CURB

	SIZE	FSCM NO.	PART NO.	REV
	SCALE		SHEET	